

# PIONEER®

## DVD-D302

### DVD-ROM DRIVE UNIT DVD-ROM 드라이브ユニット

Thank you for buying this Pioneer product. Please read through these operating instructions so you will know how to operate your model properly.

This product is an optional drive designed for exclusive use as the reader unit for the 100-disc CD-ROM changers, models DRM-1004X40 and DRM-1004XR21. This means that this unit cannot be used alone or connected to other equipment than specified.

As the installation of this unit requires sophisticated expertise as well as strict observation of safety requirements, this unit will be installed by qualified service personnel of our service department. For details, please contact your dealer.

**The export of this product or devices in which this product has been installed from Japan is regulated by Japanese government. The export of this product may be prohibited without governmental license. To export or re-export of this product from a country other than Japan may also be prohibited without an export license from the country involved.**

### IMPORTANT



The lightning flash with arrowhead symbol, within an equilateral triangle, is intended to alert the user to the presence of uninsulated "dangerous voltage" within the product's enclosure that may be of sufficient magnitude to constitute a risk of electric shock to persons.

### CAUTION

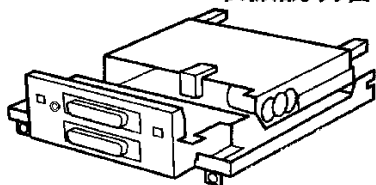
**RISK OF ELECTRIC SHOCK  
DO NOT OPEN**

**CAUTION:**  
TO PREVENT THE RISK OF ELECTRIC SHOCK, DO NOT REMOVE COVER (OR BACK). NO USER-SERVICEABLE PARTS INSIDE. REFER SERVICING TO QUALIFIED SERVICE PERSONNEL.



The exclamation point within an equilateral triangle is intended to alert the user to the presence of important operating and maintenance (servicing) instructions in the literature accompanying the appliance.

### Operating instructions 取扱説明書



このたびは、パイオニアの製品をお買い求めいただきまして、まことにありがとうございます。本機の機能を十分に発揮させて効果的にご利用いただくために、この取扱説明書を本機ご使用前に最後まで必ずお読みください。

本機は100ディスクCD-ROMチェンジャーDRM-1004X40およびDRM-1004XR21のリーダー部専用のオプションドライブです。従って本機単体での使用および他の機器への取り付けはできません。本機の取り付けには安全のためと高度な専門知識が必要なため、取り付けは弊社サービスにて行います。詳しくは本機の取扱店にご相談ください。

本製品が外国為替及び外国貿易管理法の規定により規制貨物（または役務）に該当する場合には、本製品並びに本製品を搭載したものを日本国外に輸出する際に、同法に基づき日本国政府の輸出許可が必要です。

**WARNING: TO PREVENT FIRE OR SHOCK HAZARD, DO NOT EXPOSE THIS APPLIANCE TO RAIN OR MOISTURE.**

### IMPORTANT NOTICE:

RECORD THE MODEL NUMBER AND SERIAL NUMBER OF THIS EQUIPMENT BELOW. THE NUMBERS ARE ON THE TOP PANEL.

MODEL NO. DVD-D302

SERIAL NO.

KEEP THESE NUMBERS FOR FUTURE USE.

### 사용자안내문

A급 기기

이 기기는 업무용으로 전자파적합등록된 기기 이오니 판매자 또는 사용자는이 점을 주의하시기 바라며 만약 잘못 판매 또는 구입하였을 때에는 가정용으로 교환하시기 바랍니다.

This product complies with the EMC Directives (89/336/EEC, 92/31/EEC) and CE Marking Directive (93/68/EEC).

Ce produit est conforme aux directives relatives à la compatibilité électromagnétique (89/336/CEE, 92/31/CEE) et à la directive CE relative aux marquages (93/68/CEE).

Dieses Produkt entspricht den EMV-Richtlinien (89/336/EEC, 92/31/EEC) und CE-Markierungsrichtlinien (93/68/EEC).

Questo prodotto è conforme alle direttive EMC (89/336/CEE, 92/31/CEE) e alla direttiva sul marchio CE (93/68/CEE).

Dit produkt voldoet aan de EMC-richtlijnen (89/336/EEC en 92/31/EEC) en de CE-markeringsrichtlijn (93/68/EEC).

Denna produkt uppfyller föreskrifterna i EMC-direktiv (89/336/EEC, 92/31/EEC) och CE-märkningsdirektiv (93/68/EEC).

Este producto cumple con las Directivas EMC (89/336/CEE, 92/31/CEE) y Directiva de Marcación CE (93/68/CEE).

Este produto cumpre com as Directivas EMC (89/336/CEE, 92/31/CEE) e Directiva da Marcação CE (93/68/CEE).

Dette produkt er i overensstemmelse med direktiverne vedrørende elektromagnetisk kompatibilitet (89/336/EEC, 92/31/EEC) og CE-direktivet vedrørende mærkning (93/68/EEC).

### WARNING!

Om apparaten används på annat sätt än i denna bruksanvisning specificerats, kan användaren utsättas för osynlig laserstrålning som överskrider gränsen för laserklass 1.

### ADVARSEL:

Usynlig laserstråling ved åbning når sikkerhedsafbrydere er ude af funktion. Undgå udsættelse for stråling.

### VAROITUS!

Laitten käyttäminen muulla kuin tässä käyttöohjeessa mainitulla tavalla saattaa altistaa käyttäjän turvallisuusluokan 1 ylittävälle näkymättömälle lasersäteilylle.



**LASER DIODE** – This product contains a laser diode. To assure continued safety, **DO NOT** remove any covers or attempt to gain access to the inside of the product.

### CAUTION:

USE OF CONTROLS OR ADJUSTMENTS OR PERFORMANCE OF PROCEDURES OTHER THAN THOSE SPECIFIED HEREIN MAY RESULT IN HAZARDOUS RADIATION EXPOSURE.

### CAUTION:

USE OF OPTICAL INSTRUMENTS WITH THIS PRODUCT WILL INCREASE EYE HAZARD.



**RADIO SIGNAL INTERFERENCE** - This equipment has been tested and found to comply with the limits for a Class B digital device, pursuant to Part 15 of the FCC Rules. These limits are designed to provide reasonable protection against harmful interference in a residential installation. This equipment generates, uses, and can radiate radio frequency energy and, if not installed and used in accordance with the instructions, may cause harmful interference to radio communications. However, there is no guarantee that interference will not occur in a particular installation. If this equipment does cause harmful interference to radio or television reception, which can be determined by turning the equipment off and on, the user is encouraged to try to correct the interference by one or more of the following measures:

- ⇒ Reorient or relocate the receiving antenna.
- ⇒ Increase the separation between the equipment and receiver.
- ⇒ Connect the equipment into an outlet on a circuit different from that to which the receiver is connected.
- ⇒ Consult the dealer or an experienced radio/TV technician for help.

*This device complies with part 15 of the FCC Rules. Operation is subject to the following two conditions: (1) This device may not cause harmful interference, and (2) this device must accept any interference received, including interference that may cause undesired operation.*

**[For Canadian model]**

This Class B digital apparatus meets all requirements of the Canadian Interference-Causing Equipment Regulations.

**[Pour le modèle Canadien]**

Cet appareil numérique de la Classe B respecte toutes les exigences du Règlement sur le matériel brouilleur du Canada.

**Information to User**

Alteration or modifications carried out without appropriate authorization may invalidate the user's right to operate the equipment.

*The Generation of Acoustical Noise is Less Than 70dB.  
(ISO7779/DIN45635)*

**IMPORTANT**

**CAUTION**

This product contains a laser diode of higher class than 1. To ensure continued safety, do not remove any covers or attempt to gain access to the inside of the product.

Refer all servicing to qualified personnel.

The following caution label appears on your unit.

Location: on top of the cover

**CLASS 1 LASER PRODUCT  
LASER KLASSE 1**

For pluggable equipment the socket-outlet shall be installed near the equipment and shall be easily accessible.

# SAFETY INSTRUCTIONS

To ensure your personal safety and to maximize the full operating potential of your Drive, read and follow these safety precautions:

**ARRANGEMENT** - This unit can be used only horizontally. Vertical use is not possible.

**ENVIRONMENT** - Please do not use the unit at places with much dust, high temperature, or high humidity. Please use the unit at a place where it is not subjected to vibrations or shocks.

**POWER** - Power-off your system and attached hardware devices before installation.

**READ INSTRUCTIONS** - Read all safety and operating instructions before the Drive is operated.

**RETAIN INSTRUCTIONS** - Retain the safety and operating instructions for future reference.

**FOLLOW INSTRUCTIONS** - Follow all operating and use instructions.

**HEED WARNINGS** - All warnings must be adhered to.

**CLEANING** - DO NOT use liquid or aerosol cleaners and only use a damp cloth to clean the exterior housing.

**WATER AND MOISTURE** - DO NOT use this product near water.

**POWER SOURCES** - Operate this product from the type of power source indicated on the marking label. If you are not sure of the type of power available, consult your Authorized Pioneer Dealer.

**OVERLOADING** - DO NOT overload wall outlets and extension cords. Doing so can result in fire or electric shock.

**OBJECT AND LIQUID ENTRY** - Never push objects of any kind into this product. Touching dangerous voltage points may cause a short resulting in fire or electric shock. Do not spill liquid of any kind on this product.

**CONDENSATION** - Moisture will form in the operating section of the product causing performance to be impaired if it is brought from cool surroundings into a warmer environment. If you are moving the unit to a location with a warmer temperature, let the product stand for 1-2 hours in the new location before turning it back on.

**SERVICING** - Do not attempt to repair this product yourself. Opening or removing covers may expose you to dangerous voltage or other hazards. Refer all servicing to qualified service personnel. (Refer to the enclosed Service and Support Card.)

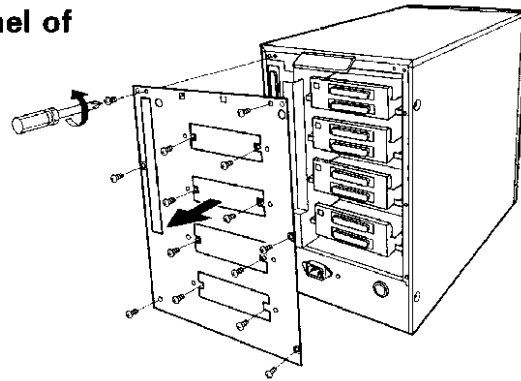
## FEATURES OF THE REPLACEMENT DVD-ROM DRIVE 交換用DVD-ROMドライブの特長

- High transfer rate (Sustain)  
max. 3,300 K Byte/sec. (DVD-ROM)
- Access time: Random avg. 150 ms  
(DVD-ROM)
- SCSI2 interface
- SCSI bus terminator
- Multi-session compatibility
- 512-byte block compatibility
- CD-DA (audio CD) playback capability
- 転送レートの高速化の実現 (サステイン)  
最大3,300 KByte/sec (DVD-ROM)  
最大3,000 KByte/sec (CD-ROM)
- アクセスタイム ランダム平均150msec  
(DVD-ROM)
- SCSI 2 インターフェース採用
- SCSI バスターミネータ搭載
- マルチセッション対応
- 512 バイトブロック対応
- CD-DA (オーディオCD) の再生可能

## INSTALLING THE REPLACEMENT DVD-ROM DRIVE 交換用 DVD-ROM ドライブの取り付け方

### 1. Remove the rear panel of the Changer.

#### 1. チェンジャーの裏板を外す。

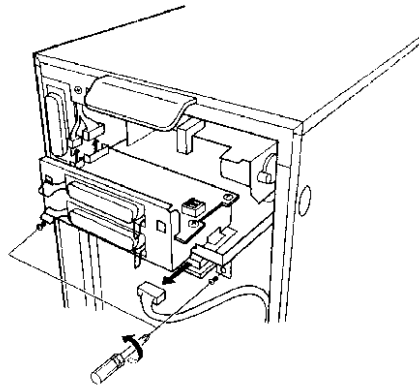


### 2. Remove the CD-ROM drive.

- Disconnect the two connectors on the left side, and the one connector on the right side.
- Remove the two screws at left and right.
- Pull out the drive straight in alignment with the changer's right and left guides.

#### 2. CD-ROMドライブを外す。

- コネクタを左側2ヶ所、右側1ヶ所を取り外してください。
- 左右のネジを2ヶ所外してください。
- チェンジャーの左右のガイドに沿って、引き抜いてください。

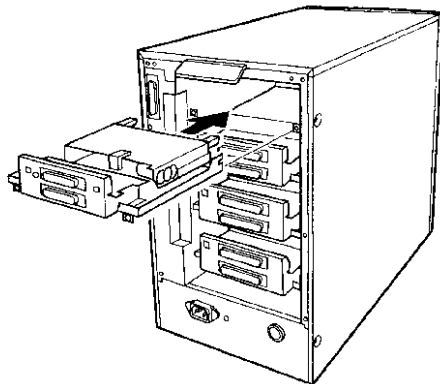


### 3. Insert the Replacement DVD-ROM drive.

- Slide the drive along the left and right guides of the Changer and insert into the half of it.

#### 3. 交換用 DVD-ROMドライブを挿入する。

- チェンジャーの左右のガイドに合わせて途中まで入れてください。



## INSTALLING THE REPLACEMENT DVD-ROM DRIVE 交換用 DVD-ROM ドライブの取り付け方

### 4. Complete installation of the replacement DVD-ROM drive:

- Reconnect the two wiring connectors on the left, and the one on the right.

#### Note:

The colour of the harness (wire) of drive No. 4 (top drive) is black, and that of the harness (wire) of drive No. 3 (second from the top) is blue, the harness (wire) of drive No. 2 (third from the top) is yellow, the harness (wire) of drive No. 1 (fourth from the top) is red.

- Be sure the drive has been fully inserted into its slot, then secure it in place with the two screws at left and right.
- Secure the wiring harnesses in place, adjusting them out of the way of other parts. Refer to the other installed drives for the proper method of securing the harnesses.

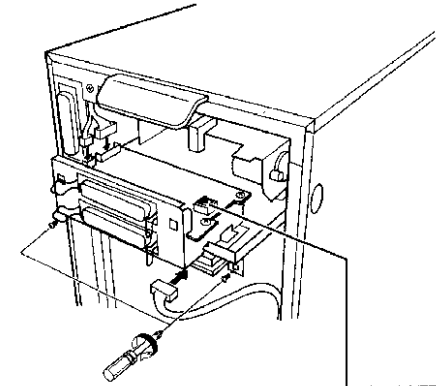
#### 4. 交換用DVD-ROMドライブを取り付ける。

- コネクタを左側2ヶ所、右側1ヶ所、正しく取り付けてください。

#### ご注意:

ドライブNo.4 (最上部) のハーネス (線材) の色は黒、ドライブNo.3 (上から2番目) のハーネスの色は青、ドライブNo.2 (上から3番目) のハーネスの色は黄、ドライブNo.1 (上から4番目) のハーネスの色は赤です。

- ドライブを奥まで挿入し、付属のネジを使って左右2ヶ所ネジ止めをしてください。
- 線材を固定し、スタイリングしてください。線材の固定方法は、既に搭載されているドライブを参考にしてください。

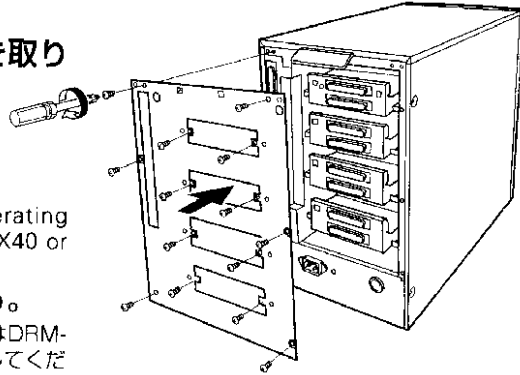


Do not change the positions of these switches which are intended for use in servicing.  
このスイッチは、サービス用です。操作しないでください。

**INSTALLING THE REPLACEMENT DVD-ROM DRIVE**  
**交換用 DVD-ROM driveの取り付け方**

**5. Attach the rear panel of the Changer.**

**5. チェンジャーの裏板を取り付ける。**



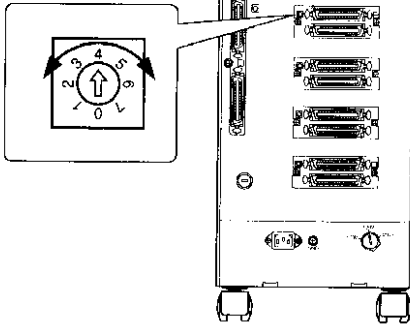
**6. Set the SCSI ID.**

- For details, refer to the operating instructions of the DRM-1004X40 or DRM-1004XR21.

**6. SCSI ID をセットする。**

- 詳しくは、DRM-1004X40またはDRM-1004XR21の取扱説明書を参照してください。

**SCSI ID switch**  
SCSI IDスイッチ



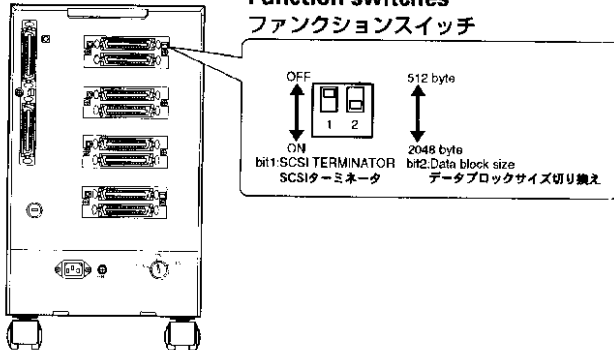
**7. Set the Function switches.**

- Set the terminator switch of the last drive in the daisy-chain connection to ON. For details, please also read the operating instructions of the DRM-1004X40 or DRM-1004XR21.

**7. ファンクションスイッチをセットする。**

- デージーチェーンにより、最後となったドライブのターミネータスイッチをONにしてください。詳しくは、DRM-1004X40またはDRM-1004XR21の取扱説明書をご覧ください。

**Function switches**  
ファンクションスイッチ



**AFTER-SALES SERVICE FOR PIONEER PRODUCTS**

Please contact the dealer or distributor from where you purchased the product for its after-sales service (including warranty conditions) or any other information. In case the necessary information is not available, please contact the Pioneer's subsidiaries (regional service headquarters) listed below:

**PLEASE DO NOT SHIP YOUR PRODUCT TO THE COMPANIES**

at the addresses listed below for repair without advance contact, for these companies are not repair locations.

**AMERICA**

PIONEER ELECTRONICS SERVICE, INC.  
 CUSTOMER SUPPORT DIVISION  
 P.O. BOX 1760, LONG BEACH, CA 90801-1760, U.S.A.

**EUROPE**

PIONEER ELECTRONIC (EUROPE) N.V.  
 EUROPEAN SERVICE DIVISION  
 HAVEN 1087, KEETBERGLAAN 1, 9120 MELSELE, BELGIUM

**ASEAN**

PIONEER ELECTRONICS ASIACENTRE PET. LTD.  
 SERVICE DEPARTMENT  
 501 ORCHARD ROAD, #10-00  
 WHEELLOCK PLACE, SINGAPORE 238880

**JAPAN AND OTHERS**

PIONEER ELECTRONIC CORPORATION (HEAD OFFICE)  
 CUSTOMER SUPPORT CENTER  
 4-1, MEGURO 1-CHOME, MEGURO-KU, TOKYO 153-8654 JAPAN

**France : tapez 36 15 PIONEER**

Published by Pioneer Electronic Corporation.  
 Copyright © 1998 Pioneer Electronic Corporation.  
 All rights reserved.



この取扱説明書はエコマーク認定の再生紙を使用しています。

© 1998 パイオニア株式会社 禁無断転載

**パイオニア株式会社** ☎ 153-8654 東京都目黒区目黒1丁目4番1号

**PIONEER ELECTRONIC CORPORATION** 4-1, Meguro 1-Chome, Meguro-ku, Tokyo 153-8654, Japan

**Business System Company:** 15-5, Ohmorinishi 4-Chome, Ohta-ku, Tokyo 143-8564 Japan TEL: 81-3-3763-2369 FAX: 81-3-3763-3104

**PIONEER NEW MEDIA TECHNOLOGIES, INC.**

**Laser Optical Systems Division:** 2265 East 220th Street, Long Beach, CA 90810, U.S.A. TEL: 800-444-OPTI (6784)

**PIONEER ELECTRONICS SERVICE, INC.** 1925 East Dominguez St. Long Beach, CA 90810, U.S.A.

TEL: (310)952-2359 FAX: (310)952-2412

**PIONEER ELECTRONIC [EUROPE] N.V.** PIONEER House, Hollybush Hill, STOKE POGES, SLOUCH SL2 4QP U.K. TEL: +44-1753-789-789

**PIONEER ELECTRONICS OF CANADA, INC.**

**Industrial Products Department:** 300 Allstate Parkway, Markham, Ontario L3R 0P2, Canada TEL: 905-479-4411

**PIONEER ELECTRONICS AUSTRALIA PTY. LTD.** 178-184 Boundary Road, Braeside, Victoria 3195, Australia TEL: +61-3-9586-8300

**PIONEER ELECTRONICS ASIACENTRE PTE. LTD.**

501 Orchard Road, #10-00, Wheelock Place, Singapore 238880 TEL: +65-735-9011 FAX: +65-735-9022